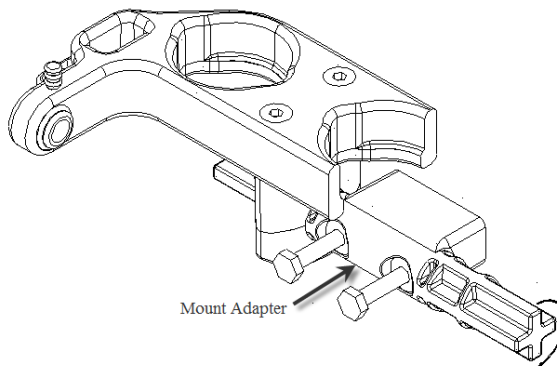


The Ultimate Tackle Organizer

Bait Buoy

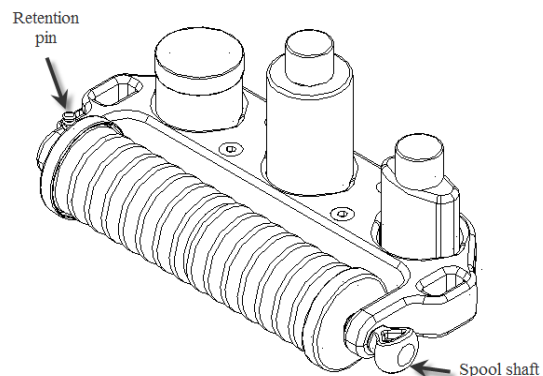
- Allows you to have leader's scents-bait, pliers, cutters, towel and fish club all at arms reach.
- Rigid weather proof design.
- Interchangeable leader spool.
- Adjustable mount system.

Installation Instructions: (Vessel Mount Adapter) – Loosen the 4 provided ¼-20 flat head bolts. You may use the mount adapter hole pattern as a template for drilling, if needed. Use any style ¼” bolts (not provided) to fasten the mount adapter to the vessel. Once adapter is secured to vessel rotate the main unit to desired angle. Tighten the 4 ¼-20 flat head bolts. Caution: DO NOT OVER TIGHTEN.



Installation Instructions: (Rail Mount) – Simply remove the 4 provided ¼-20 flat head bolts from the top of the unit. Remove attached mount adapter and reassemble using the provided clamps. Use the provided spacers, if needed, for a 7/8” rail. Tighten the ¼-20 flat head bolts. Caution: DO NOT OVER TIGHTEN.

Spool Removal - Lift Retention pin and pull spool shaft out. Replace spool. Lift retention pin and push shaft back into place.



Warning: Bait Buoy will not float. Please use caution when installing near water.

LIFETIME WARRANTY AGAINST ANY MANUFACTURING DEFECTS.

The Warranty will not apply to the product if it has been damaged by misuse, alteration, accident, improper handling or operation. Product is intended to be used for designed purpose only.